



Picture may vary from actual product

MobileReader.Gate

On the go – always in control!

Reading and writing RFID data carriers
– anywhere, anytime, with full freedom of
movement...

Ultimate ease of use

- **Fits nicely in your palm:** Smooth, convenient handling makes even long-term use a pleasure.
- **You'll only need to lift one finger:** Convenient ticket authentication either in continuous auto-read operating mode or at push of a single button.
- **Look and listen:** Visual and acoustic feedback help to make ticket authentication quick & easy.
- **Always at hand:** To keep your MobileReader handy use the palm or wrist strap, lanyard or belt clip, or simply keep it in your pocket.

Ticket checker with a long attention span

- **Stays operational longer than many would want it to:** The durable design and high-quality rechargeable battery ensure long battery run times under any operating conditions
– from snow and ice to tropical sunshine.

Ticket cheats don't stand a chance

- **Protect your money:** Authenticate permissions on RFID tickets with a PDA (e.g. Handheld.Gate) on-line
– anytime, anywhere.

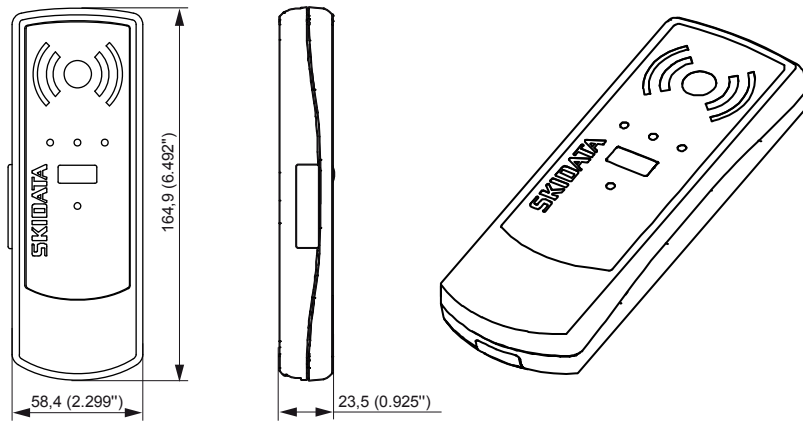
Stay independent

- **SKIDATA and more:** MobileReader.Gate is the basic device for reading common 13 MHz data carriers – also suitable for SKIDATA proximity applications.
- **Universally rechargeable:** The standard plug of modern mobile phone power adapters also fits MobileReader.Gate
– for you this means you can simply re-charge the unit 'on the go', no matter where you are...

Great value for money

- **Suitable for outdoor use:** Don't worry, be happy – about the low cost of ownership of this range of mobile devices, which operate reliably in any weather conditions.
- **Future-proof design included:** MobileReader.Gate is a safe investment all round, using the latest RFID technology that keeps up with technical progress and pays for itself soon.

all dimensions in mm



Features

- Small, handy RFID reader
- Suitable for indoor and outdoor-applications
- One button for all purposes:
 - On/Off switch (fixed), Bluetooth Pairing Mode (fixed)
 - Trigger button for Power Save/Wake-Up functions
- Information elements for displaying authentication result
 - 3 'traffic light' LEDs: red, yellow, green
 - Buzzer: up to 70 dBA, 100 Hz–10 kHz
- The functions of the individual user interfaces (traffic light LEDs, buzzer and trigger button) can easily be configured via the host application
- On-line functionality via host device
- 13 MHz RFID data carrier
 - Complies with ISO-15693, ISO-14443A/B, ISO-18092
 - Prepared for use of 1 SAM module (e.g. Calypso, FeliCa)
- Impact-resistant up to 1 m (39.37") drop height onto stone surface
- Li-ion battery for extended temperature range (–20 °C to +60 °C / –4 °F to +140 °F)
- Extra status LED (for charge status & communication)
- Bluetooth 2.0 (SPP data connection to host)
- Micro-USB re-charge/communication port (covered)

Standard Version

- MobileReader.Gate, complete with RFID module and antenna
- Bluetooth & covered USB port
- Li-Ion battery (built-in): 2600 mAh
- Cable (1 m / 39.37") with micro-USB connector / USB-A connector
- SKIDATA lanyard
- Belt clip
- Palm strap

Options

- Belt bag (with extra space for palm strap)
- USB re-charging device (single-port)

Commercially-available Options

- Power adapter for external power supply via USB
- Cell phone power adapters (e.g. for in-car use) with micro-USB connector
- Wrist Strap
- Lanyard

Technical Specifications

Dimensions	58.4 mm x 164.9 mm x 23.5 mm / 2.3" x 6.49" x 0.93" (w x h x d)
Weight	185 g (6,525 oz)
Temperature range	–20 °C to +60 °C (–4 °F to +140 °F); (0–95 % r. H.)
Color	Housing: Light Gray (RAL 7035) Device front panel: Traffic Gray (RAL 7043)
Host Interfaces	Bluetooth 2.0 (Class 3, 0–10 m / 0"–395"), USB 2.0 (Micro-USB port, covered)
USB driver	XP(e) / W2000 / SRV2003 / Vista (x86 only), W7 (e) / W2k8R2 (x86+x64)
Data communication	Bluetooth SerialPortProfile, SKIDATA BLL4 Protocol
Declarations / Certifications	CE, FCC, _c TUV _{US} , IC, C-Tick
Charging conditions	500 mA / 5 V DC (charging via micro-USB), full charge within 6 h, 5 °C to 40 °C (41 °F to 104 °F)
Operating time	approx. 40 h / approx. 50.000 data carrier read cycles in 3-second intervals, ISO-15693 / ID-1-format
Supported Data Carriers	13 MHz (ISO-15693, ISO-14443, ISO-18092) keycard basic / unlimited / ca13 / advanced / venue, keytix light, keywrist light
RFID Reader	13 MHz (ISO-15693, ISO-14443, ISO-18092) 13 MHz keycards, ISO-15693, ISO-14443-3 A/B On-demand 'scripting' project management for current smartcards: - ISO-14443-4 A/B, ISO-18092/NFC-IP1 (T=CL), max. 1x ISO-7816 SAM Module (T=1)
Typical scanning distance	ISO-15693: 4 cm (1.57") / ISO-14443A/B: 2 cm (0.79") / ISO-18092: 2 cm (0.79")
SAM Modules	1 module (ISO-7816 specified parts)
Host Application / Device	Handshake.Logic V4.0 & Handheld: "Motorola MC55A0" or "Motorola MC67" Freemotion.Logic V19.03.00 (downwards compatible to V16) & Handheld: "PSION Workabout Pro" or "PIDION BM-170"
Degree of protection	IP54

SKIDATA AG • Untersbergstraße 40 • A-5083 Grödig/Salzburg
[t] +43 6246 888-0 • [f] +43 6246 888-7 • [e] info@skidata.com [w] www.skidata.com • Version 2.8 • 04.09.2015

© 2015 SKIDATA AG. All rights reserved.

The content provided herein is subject to change and possible editorial errors. Country-specific versions may vary. SKIDATA® is a registered trademark of SKIDATA AG in the USA, the European Union and other countries. Terms and conditions of the authorized SKIDATA distributor apply. The operator is fully responsible for compliance with any legal provisions applicable to the operation of the products.